

### ⚡ Specifications

#### Nominal Voltage(V)

12V

#### Nominal Capacity

20 hour rate	(2.25A to 10.50V)	45Ah
10 hour rate	(4.275A to 10.50V)	42.75Ah
5 hour rate	(7.65A to 10.20V)	38.25Ah
1 C	(45A to 9.60V)	25.5Ah
3 C	(135A to 9.60V)	18Ah

#### Weight

Approx. 13.5kg(29.7Lbs.)

#### Internal Resistance (at 1KHz)

Approx. 7.5 mΩ

#### Maximum Discharge Current for

5 seconds: 540A

#### Charging Methods at 25°C (77°F)

Cycle use:	
Charging Voltage	14.4 to 15.0V
Coefficient -5.0mV/°C/cell	
Maximum Charging Current :	13.5A
Standby use:	
Float Charging Voltage	13.5 to 13.8V
Coefficient -3.0mV/°C/cell	

#### Operating Temperature Range

Charge	-15°C (5°F) to 40°C (104°F)
Discharge	-15°C (5°F) to 50°C (122°F)
Storage	-15°C (5°F) to 40°C (104°F)

#### Charge Retention (shelf life) at 20°C (68°F)

1 month	97%
3 month	92%
6 month	85%

#### Case Material

ABS UL94 HB  
Option: Flammability resistance of (UL94 V-0)

#### Design Life

EUROBAT(20°C): 10/12 YEARS LONG LIFE

#### Terminal

F8



### ⚡ Dimensions

**Length (L)**  $198 \pm 1^{+0.08}_{-0.04}$

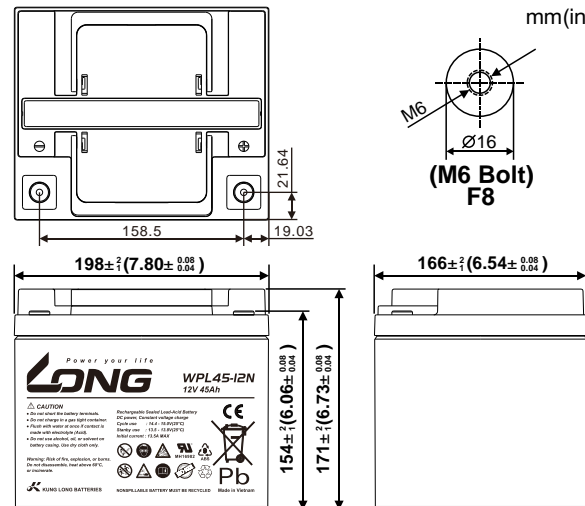
**Width (W)**  $166 \pm 1^{+0.08}_{-0.04}$

**Height (H)**  $171 \pm 1^{+0.08}_{-0.04}$

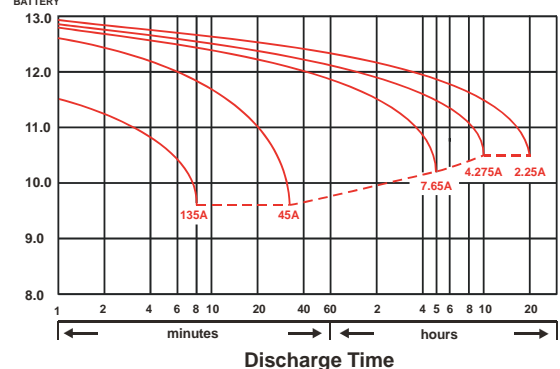
**Overall Height (HT)**  $171 \pm 1^{+0.08}_{-0.04}$

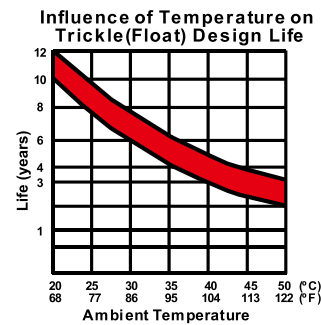
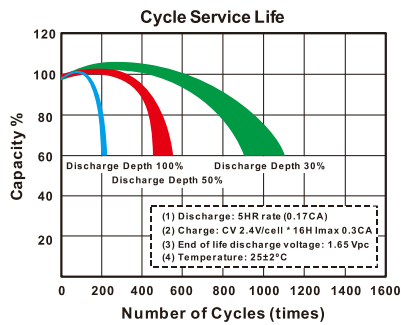
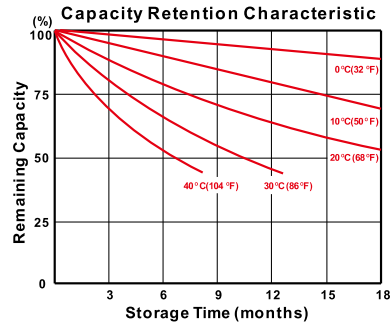
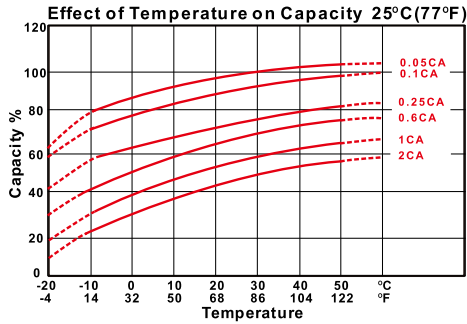
#### Description of torque value of hardware for the terminals:

Recommended torque value M6:7 N-m (71 kgf-cm)  
Maximum allowable torque value M6:10 N-m (102kgf-cm)  
mm(inch)



(v) Discharge Time VS. Discharge Current (25°C)





### - PERFORMANCE DATA

#### Discharge Rates in Watts to Various End Voltages at 25°C(77°F)

Time	End Voltage	1.85V	1.80V	1.75V	1.70V	1.67V	1.65V	1.60V
10	min	152	167	176	186	190	193	196
15	min	127	133	139	143	145	146	147
30	min	79.9	82.8	85.3	87.7	88.7	89.2	89.7
60	min	48.5	49.2	49.9	50.2	50.4	50.5	50.5
120	min	27.1	28.2	29.1	29.6	29.9	30.2	30.4
180	min	20.1	20.6	21.1	21.2	21.2	21.3	21.4
240	min	15.8	16.3	16.7	17.1	17.2	17.4	17.6
300	min	13.3	13.6	13.9	14.1	14.3	14.4	14.5
480	min	9.28	9.37	9.45	9.50	9.53	9.56	9.58
600	min	7.35	7.60	7.79	7.81	7.82	7.83	7.83
1200	min	4.02	4.12	4.21	4.26	4.29	4.31	4.32

#### Discharge Rates in Amperes to Various End Voltages at 25°C(77°F)

Time	End Voltage	1.85V	1.80V	1.75V	1.70V	1.67V	1.65V	1.60V
10	min	81.3	90.0	97.5	101	102	103	103
15	min	67.1	73.2	78.9	80.4	80.9	80.9	81.3
30	min	40.7	42.7	44.6	45.3	45.7	45.9	46.1
60	min	25.6	26.3	27.0	27.5	27.7	27.8	27.9
120	min	14.6	15.0	15.3	15.5	15.5	15.6	15.7
180	min	10.6	11.0	11.3	11.5	11.6	11.7	11.8
240	min	8.47	8.67	8.87	8.98	9.00	9.01	9.02
300	min	7.30	7.50	7.65	7.67	7.68	7.69	7.70
480	min	5.03	5.11	5.20	5.22	5.24	5.26	5.27
600	min	4.17	4.23	4.28	4.32	4.34	4.36	4.38
1200	min	2.10	2.17	2.25	2.27	2.28	2.29	2.30

All data on the spec. sheet is an average value:

The tolerance range :  $X < 6\text{min}$ (+15%~-15%),  $6\text{min} \leq X < 10\text{min}$ (+12%~-12%),  $10\text{min} \leq X < 60\text{min}$ (+8%~-8%),  $X \leq 60\text{min}$ (+5%~-5%)

210326-1A-VNM0556