

⚡ Specifications

Nominal Voltage(V)

12V

Nominal Capacity

| | | |
|--------------|-----------------|-------|
| 20 hour rate | (10A to 10.50V) | 200Ah |
| 5 hour rate | (32A to 10.20V) | 160Ah |

Dry Weight

Approx. 37.9kg(83.4Lbs.)

Cold Cranking Amperes (-17.8)

765A

Storage Capacity (RC,25A duration time)

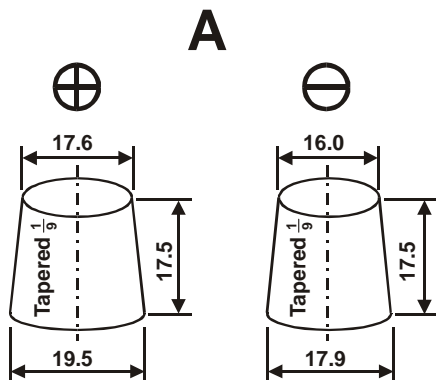
370min

Case Material

PP

Terminal Type

mm(inch)



⚡ Dimensions

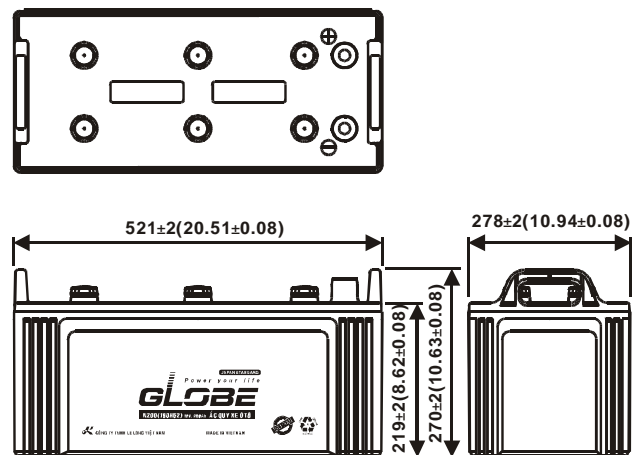
Length (L) 521±2 (20.51±0.08)

Width (W) 278±2 (10.94±0.08)

Height (H) 219±2 (8.62±0.08)

Overall Height (HT) 270±2 (10.63±0.08)

mm(inch)



120418-1C-V