

⚡ Specifications

Nominal Voltage(V)

12V

Nominal Capacity

20 hour rate (10.5A to 10.50V) 210Ah
 5 hour rate (33.6A to 10.20V) 168Ah

Dry Weight

Approx. 37.7kg(82.9Lbs.)

Cold Cranking Amperes (-17.8)

910A

Storage Capacity (RC,25A duration time)

380min

Case Material

PP

Terminal Type

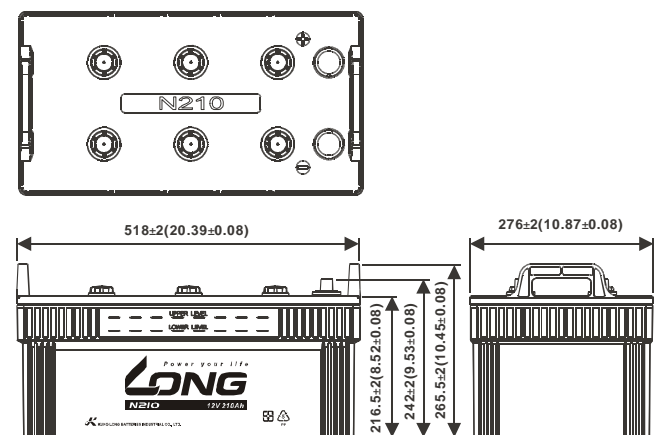
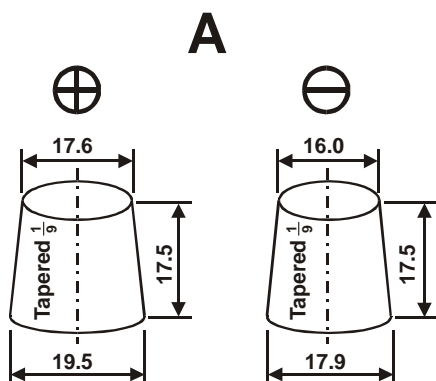


⚡ Dimensions

Length (L)	518±2 (20.39±0.08)
Width (W)	276±2 (10.87±0.08)
Height (H)	216.5±2 (8.52±0.08)
Overall Height (HT)	265.5±2 (10.45±0.08)

mm(inch)

mm(inch)



120418-1B-V