

### ⚡ Specifications

#### Nominal Voltage(V)

12V

#### Nominal Capacity

20	hour rate	(1.75A	to	10.50V)	35Ah
10	hour rate	(3.325A	to	10.50V)	33.25Ah
5	hour rate	(5.95A	to	10.20V)	29.75Ah
1	C	(35A	to	9.60V)	19.83Ah
3	C	(105A	to	9.60V)	14Ah

#### Weight

Approx. 10.5kg(23.1Lbs.)

#### Internal Resistance (at 1KHz)

Approx. 8mΩ

#### Maximum Discharge Current for

5 seconds: 525A

#### Charging Methods at 25°C(77°F)

Cycle use:	
Charging Voltage	14.4 to 15.0V
Coefficient -5.0mV/°C/cell	
Maximum Charging Current :	10.5A
Standby use:	
Float Charging Voltage	13.5 to 13.8V
Coefficient -3.0mV/°C/cell	

#### Operating Temperature Range

Charge	-15°C(5°F)	to	40°C(104°F)
Discharge	-15°C(5°F)	to	50°C(122°F)
Storage	-15°C(5°F)	to	40°C(104°F)

#### Charge Retention (shelf life) at 20°C(68°F)

1 month	92%
3 month	90%
6 month	80%

#### Case Material

ABS UL94 HB  
Option: Flammability resistance of (UL94 V-0)

#### Design Life

3-5 Years.

#### Terminal

F8

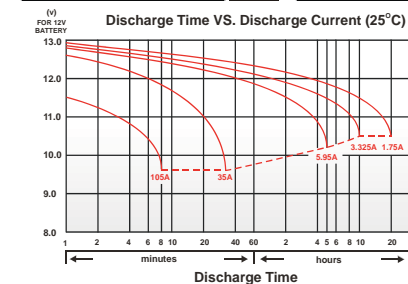
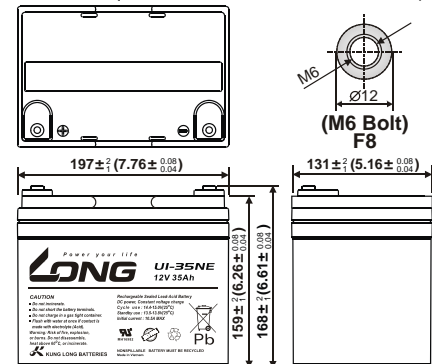


### ⚡ Dimensions

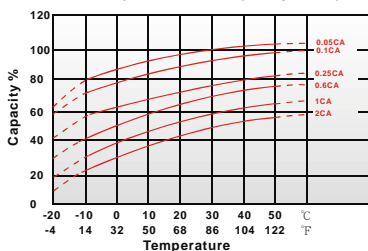
Length (L)	197+2-1 (7.76+0.08-0.04)
Width (W)	131+2-1 (5.16+0.08-0.04)
Height (H)	159+2-1 (6.26+0.08-0.04)
Overall Height (HT)	168+2-1 (6.61+0.08-0.04)

#### Description of torque value of hard ware for the terminals:

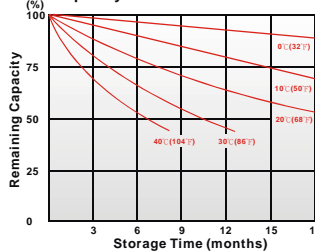
Recommended torque value	M6: 7 N-m (71kgf-cm)
Maximum allowable torque value	M6: 10 N-m (102kgf-cm)



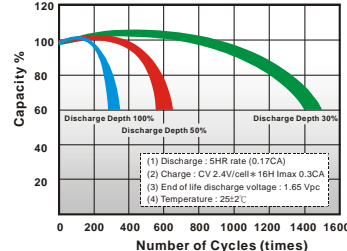
#### Effect of Temperature on Capacity 25°C(77°F)



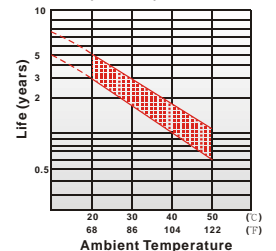
#### Capacity Retention Characteristic



#### Cycle Service Life



#### Trickle (or float) Service Life



140922-1A